

# PRODUCT DESCRIPTIONS

## Ship's Network(Computer) System

Network Application for Ship  
(PC Network, Telephone, Internet, VOD, VCS, CCTV, Etc.)

### LAN (Local Area Network) and Server System

The local area network in the system is an advanced Layer 2/3 network with a large number of features. PoE function on all ports is the standard feature : i.e. an IP telephone does not need a separate power supply, which makes it easier and cheaper to install.

### Video Conference system

The Video Conference system provides organization with a budget friendly video conferencing solution perfect for real-time, multimedia communication. A number of useful software add-ons are available for the system free of charge, such as Screen Share, our wireless content sharing software for PCs, and CV Link, our exclusive app for instantly sharing live images and snapshots from a mobile device.

### TVRO (Television Receive-Only)

TVRO is one of the satellite TV system. The term TVRO (C/Ku bands) is used in the North American continent to refer the Free to Air (FTA) systems of Europe, Asia, and other continents.

### VSAT (Very Small Aperture Terminal)

The VSAT is a two-way satellite ground station or a stabilized maritime mobile antenna with a dish antenna that is smaller than 3 meters. The majority of VSAT antennae range from 75 cm to 1.2 m. Data rates typically range from 56 Kbit/s up to 4 Mbit/s.

### PABX (Private Automatic Branch eXchange)

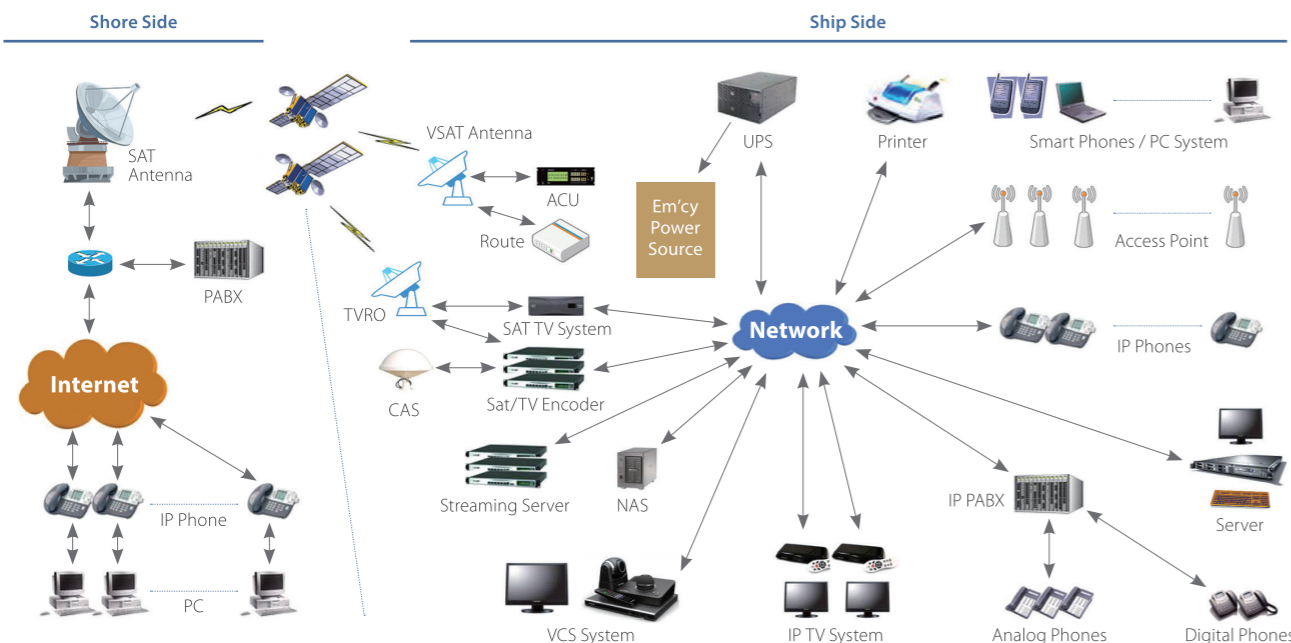
Internal and external telephone communications are connected through this system. This system contains a combination of VOIP, digital and analogue internal telephones and external lines. VSAT, GSM and Inmarsat can be interfaced to the system. Wireless phones with roaming function are also available.

### IPTV/VOD System

This infotainment system contains a media encoder, video server, and a set top box in which it can distribute IPTV, internet radio, and any other video data (Multimedia) source through the network to provide entertainment on board.

### CCTV (Closed Circuit Television)

Video and audio signal for monitoring purpose are digitised and transmitted through the network and internet connection. The ultimate benefit of digital CCTV over analogue CCTV system is greater flexibility, better performance, and easier installation.



# PRODUCT DESCRIPTIONS



## CCTV(MCT-SFX-1WEX) Fixed Camera

Digital Closed Circuit Television for ATEX Ex., Marine CCTV Camera System for SUS Fixed type(Explosion-Proof)

### GENERAL DESCRIPTION

The explosion proof camera station combines camera housing, wiper system and optional telemetry receiver into one fully integrated easy to install and maintain unit. There is no external wiring for camera housing. And the MCT-SFX-1WEX fixed camera is officially certified by satisfying the ATEX request standard EN60079-0, EN60079-1, and EN60079-7. This model can be mounted in the area that requires Group II, Zone 1 and 2, Gas class "B", and temperature class T6 with IP66/67. And this outdoor CCTV camera is for wide range video surveillance applications and wiper as option, such as harbor, airport, public area and hazardous locations. The camera with auto-focal lens and auto Iris control, provide outstanding quality image and covering all the variable light conditions, to meet the most demanding situations. Also this camera built-in IR LEDs support day and night surveillance, applications such as low light or no light condition, provide all day surveillance solution for sea water environments.

### Maximum Benefits

Manufactured from the highest-grade electro-polished 316 stainless steel for maximum corrosion resistance, the fixed camera station is designed specifically for marine applications

### Options

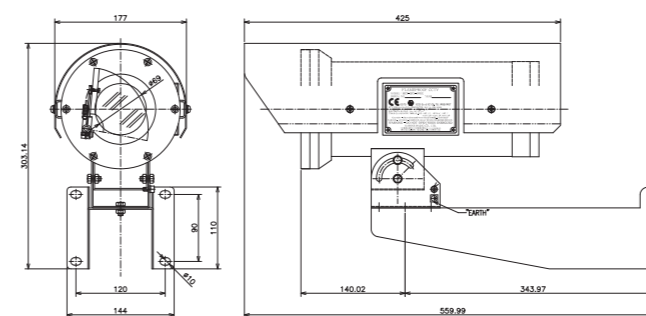
- Alternative camera / lens configurations available
- Comprehensive support of all transmission methods
- Optional Built in IR Lamp
- Network Interface, Integral Wiper

### Enhancement and Reliability Test

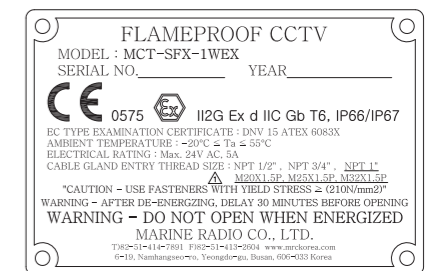
- Green & Innovated and practical design
- 100% passed durability test
- Temperature test, voltage protective test
- Color, Zoom, Frequency & Video Quality Testing

### Key Features

- Electro-polished 316 SUS, for corrosion resistance
- IP66/67 rated – protected against heavy seas
- Multi-protocol telemetry for extensive compatibility
- Toughened glass window
- Thermostatically controlled window demister
- Removable camera chassis for ease of servicing



[ Front / Side / Rear View ]



[ Name Plate ]

