

PRODUCT DESCRIPTIONS



Communal Aerial System(MAD-100)

Inter-communication Entertainment System for TV and Radio Broadcasting (MAD-100)

GENERAL DESCRIPTION

The MAD-100 system supports video from Satellite TV, and CCTV signal interface in addition to broadcasting bandwidths including MF/HF/SW and FM for radio, VHF (H/L), and UHF for television, as well as the video from VCR and DVD.

Especially, the Omni-directional antenna is able to stably receive television and radio signals via the whip antenna during the operation of the ship. To avoid the attenuation of weak signals, the system adopts the Automatic Gain Control (AGC) in the built-in broadband amplifier. This system also boasts solid production so that it does not require any maintenance after installation. As long as the power is on in the system, all functions operate automatically. The Communal Aerial System was tested at the IEC60945 standard and approved for CE by DNV.



System Features

1. Main amplifier (MAD-100) : Maximum subscriber (96EA), Included AGC and power supply for MF / SW / FM / VHF / UHF
2. Sub amplifier (MAD-100A) : Additional subscriber (96EA), Included AGC and power supply for MF / SW / FM / VHF / UHF
3. VTR Amplifier (UP-40B, Optional)
4. Omni-Directional Antenna (AT-100) : For AM/FM, TV
5. Distributor
6. Terminal for radio and TV
7. Radio / TV, telephone and AC-220 RP terminal
8. Radio / TV cord set
9. Installation materials : End Resister (75 Ohms and connector)
10. Spare parts : Manufacturer standard
11. Minimum reception level of TV (Standard) : 0dB
12. Minimum reception level of radio (Standard) : 40dB
13. Maximum Outlet Box per a system : 96EA
14. Maximum Outlet Box per a line : DB-2 / 3 / 4 / 8
15. Terminal Resistor Impedance : 75 ohm

Main Amplifier

MF / SW / FM / VHF/ UHF Amplifier Unit (MAD-100, MAD-100A)

1. Freq : MF / SW (150 kHz - 30MHz), Min. 20dB
VHF.L (45MHz - 110MHz), Min. 20dB
VHF.H (170MHz - 225MHz), Min. 20dB
UHF (470MHz - 850MHz), Min. 20dB
2. AGC : 0-37dB
3. Gain Deviation : MF / SW (0.8dB), VHF (1.0dB), UHF (2.0dB)
4. Noise Figure : MF / SW (7dB), VHF (8dB), UHF (8dB)
5. Maximum Output : MF / SW (85dB), FM / VHF / UHF (110dB)
6. Power Consumption : DC-12V, 380mA, Max. 45VA
AC-220V, 20mA, Max. 50VA
7. Weight : Approx. 6.8Kg
8. Temperature : -20°C ~ +40°C
9. In/Out Impedance : 75 ohm

Main Power Supply

1. Power Source : AC110/220V, 1-ph, 50/60Hz
2. Output Power : DC-12V, 1.2A
3. Fuse : 250V, 1A

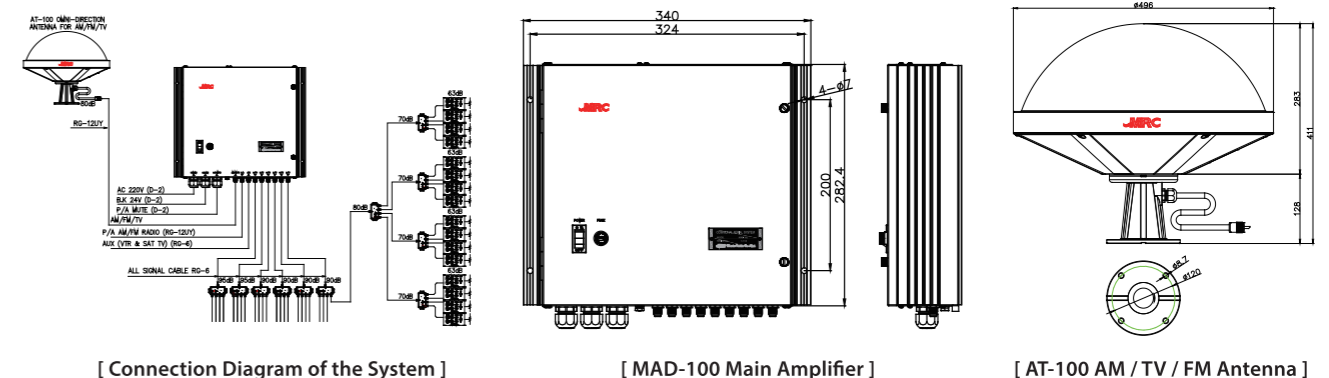
Omni-Directional Antenna (AT-100)

1. Frequency Range : 0.1MHz ~ 850MHz
2. Rx Pattern & Polarization : Omni-Directional Type
3. Gain : 20dB ± 3dB
4. Automatic Gain Control : 0 ~ 25dB
5. Output Impedance : 75ohm
6. Maximum Output Level : 110dB
7. Power Consumption : 120mA
8. Input Voltage : DC-12V
9. Stand Rate for Wind : Max. 60m/s
10. Operation Temperature : -40°C ~ +50°C
11. Approx. 6Kg

VTR Amplifier (UP-40B, Option)

1. Frequency Gain : VHF.L (45MHz - 110MHz), Min. 30dB
VHF.H (170MHz - 225MHz), Min. 30dB
UHF (470MHz - 750MHz), Min. 30dB
2. Gain Deviation : VHF (1.0dB), UHF (2.0dB)
3. Noise Figure : VHF (8dB), UHF (8dB)
4. Maximum Output : FM / VHF / UHF (105dB)
5. Power Consumption : AC110 / 220V, 50mA, Ma x. 11VA
6. Weight : Approx. 1.7Kg
7. Color : Black
8. Temperature : -20°C ~ +40°C
9. In/Out Impedance : 75 ohm

Single Amplifier at Single Rack Type Wiring Diagram



[Connection Diagram of the System]

[MAD-100 Main Amplifier]

[AT-100 AM / TV / FM Antenna]

