



# Model FX-330



## Featuring:

**8**-inch high-resolution stationary thermal head printer for odorless printout and long service life

**H**oused in compact, sturdy electrostatically-shielded ABS plastic cabinet for bulkhead mounting

**C**ommunications receiver-grade synthesized receiver covering all LF- and HF-band facsimile broadcasts

**W**ide dynamic range receiver front-end design with automatically selected bandpass filters for high-sensitivity stable reception across the entire frequency range in the presence of severe interfering signals

**P**reprogrammed all currently active WMO-registered radio facsimile frequencies

**200** user-programmable memory channels, ready for newly assigned frequencies

**A**utomatic start/stop, framing, IOC selection and scan rate for unattended operation

**T**imer function for automatic reception of desired transmissions only, saving paper

**H**igh gain whip-type active antenna optionally available for limited space installation



## Specifications:

**Type of Receiver:** Synthesized up-conversion superheterodyne, IF 90MHz and 455kHz

**Frequency Coverage:** 110 to 160kHz (LF), 2 to 27MHz (HF), 100Hz steps

**Sensitivity:** Better than 10  $\mu$ V (LF), 2  $\mu$ V (HF)

**Modes of Reception:** F3C and J3C

**Recording Paper:** Thermo-sensitive type, 8"X30m/roll

**Printing Resolution:** 1712 pixels/line

**Scanning Rates:** 60, 90, 120 and 240 LPM, automatic selection

**IOC:** 576 and 288, automatic selection for WMO standard broadcasts

**Start/Stop Control:** Automatic for WMO standard broadcasts

**Preprogrammed Frequencies:** 165 WMO registered frequencies in LF and HF bands

**User programmable Memory Channels:** 200

**Timer Programming:** 2X10 start/stop time pairs/24 hours

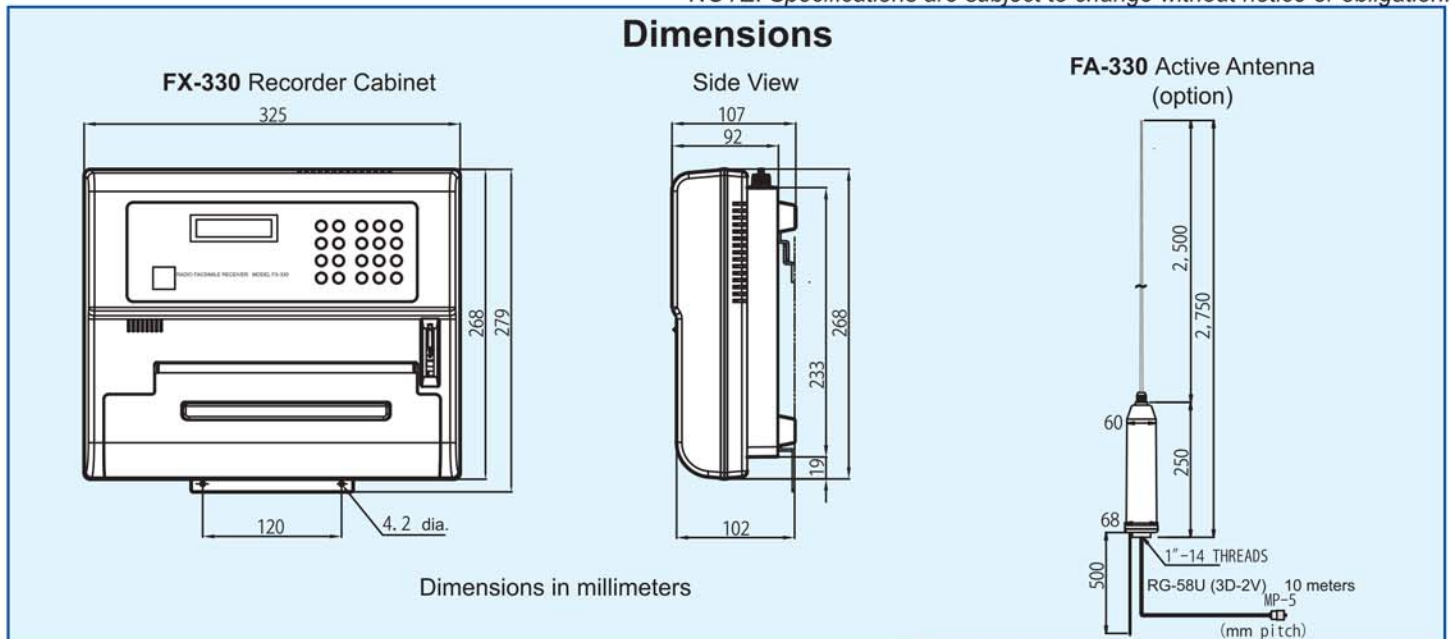
**Power Requirements:** 11-36 VDC, 4A/1.2A @12V (printing/standby, typical)

**Weight:** Approx. 4kg with standard paper roll installed

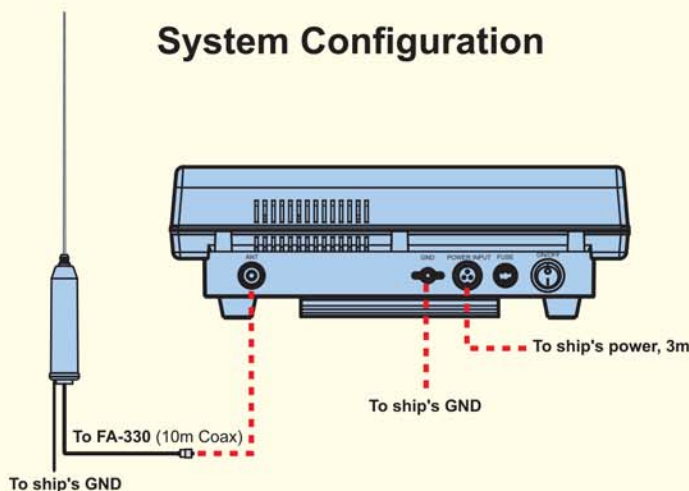
**Environment:** Compliant with IEC 60945-2002 (protected category for cabinet, exposed category for antenna)

NOTE: Specifications are subject to change without notice or obligation.

## Dimensions



## System Configuration



## Standard Equipment

(1 pc. each, except as specified):

- FX-330 Radio Facsimile Receiver
- FA-330 Active Antenna (with 10m 50  $\Omega$  coax cable)
- Power Supply Cable (3m, terminated in 3-pin plug)
- Bulkhead Mounting Hardware (Bracket), 2 pcs.
- Thermal Recording Paper Roll
- Coax Plug (M-type)
- Fuse (8A mini type slow blow, 2 pcs.)
- Wood Screw (4.1X20 truss-head, 6 pcs.)
- User's Manual